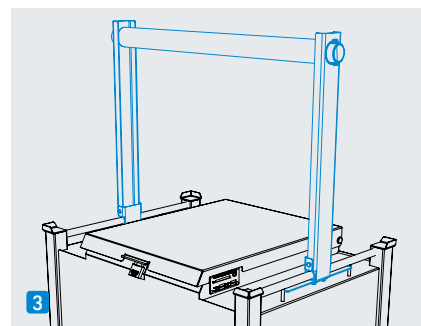




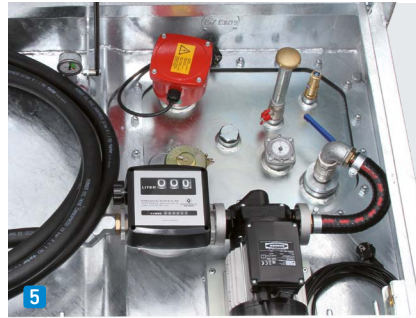
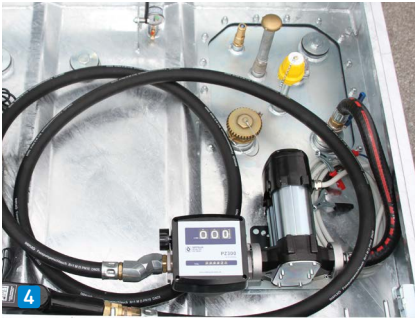
DIESEL FUEL CONTAINER EQUIPMENT



Type	Description	Art. no.
Fill limit indicator 1	To prevent overfilling of containers from a tanker with fixed line coupling	97157
Forwarder bracket	Foldable steel bracket for secure mounting with forwarder for construction series: QUADRO to 1.000 l	79555
	KC-K	2 84636
	CONTY-ECO	3 300448

Pumps

VANE PUMPS



Dry, self-priming, good price-performance ratio, bypass valve for protection against pump damage

Scope of delivery:

Motor pump, 4.0 m discharge hose, angular swivel joint, automatic discharge nozzle with axial swivel joint, connection cable with plug and/or battery clips, adapter for mounting on Rietberg containers, mounted on ordered Rietberg container

Type	Flow-rate [l/min]		Voltage (V)	Special features	Hose	Art. no.
	Nominal ¹⁾	Effective ²⁾				
R50 12/24	35/70	30/50	DC 12/24	Can be operated with 12 V as well as with 24 V direct current	NW19	96352
R50 230	56	52	AC 230	–	NW19	96349
R75 12	85	66	DC 12	–	NW25	96354
R75 24	4	66	DC 24	–	NW25	96355
R80 230	5	66	AC 230	–	NW25	96353
R120 230	100	90	AC 230	–	NW25	96478
R200 230	200	180	AC 230	For QUADRO-C 1000	NW32	97441

GEAR PUMPS



High-quality and durable version for delivery of lower fuel volumes independently from energy sources

Scope of delivery:

Manual pump, 4 m discharge hose, automatic nozzle, connection adapter for mounting at Rietberg containers, mounted at ordered Rietberg container

Type	Flow-rate (l/stroke)	Special features	Hose	Art. no.
TP 3	0,35	–	NW19	31908

1) Indicated nominal power of the manufacturer with free outlet

2) Power detected during the test with a suction height of 1m and equipped with 4m discharge hose and automatic discharge nozzle



Flow meters

NOT CALIBRATABLE, NOT FOR CUSTODY TRANSFER

Type	Description	Flow-rate [l/min]		Art. no.
		Min.	Max.	
PZ300	5 Mechanical roller flow meter	20	120	96359
EZ24	Digital turbine flow meter	7	120	96479
K700	Mechanical oval wheel flow meter for pump R200 230	20	220	97799

FUEL DATA RECORDING

Scope of delivery:

Fuel data recording with LCD display and keypad, oval wheel flow meter with pulse generator, not calibratable, not for custody transfer, PC software, mounted at ordered Rietberg container

Type	Description	Art. no.
TDE-DC	6 This fuel data recording system can be operated with 12 V as well as 24 V direct current and combined with respective dispensing pumps with up to 30 A. The system consists of: Automatic fuel terminal with oval wheel flow meter incl. pulse generator, not calibratable, not for custody transfer, for max. 2,000 users; internal memory for max. 10,000 fuelling processes; integrated transponder reader; user identification and fuel release via coded transponder; automatic recording of the dispensed fuel volume; LCD display, manual input of vehicle or machine data via protected keypad; integrated USB-interface protected against unauthorized access for data retrieval; 6.0 m connection cable, incl. terminal clamps; 10 transponders, freely codeable, for operation/release of the automatic fuel terminal; PC software for management and analysis of fuel data for up to 200 units	98287
Transponder tag	For TDE-DC; for contact-free user identification	96617

Pump accessories

DISCHARGE HOSES

Type	Description	Hose length (m)	Art. no.	
			NW19	NW25
Discharge hose	Integration 1" IT / 1" OT	4	39731	97143
		6	39732	97144
		8	45232	97145
		10	45375	97146

DISCHARGE NOZZLES



Type	Flow rate (l/min)	Special features	Outlet	Art. no.
ZVA 19	60	With axial swivel joint	NW19	44535
ZVA 19 Slimline	75	With axial swivel joint	NW19	34435
ZVA 25	120	With axial swivel joint	NW25	39642
ZVA 25 Slimline	140	With axial swivel joint	NW25	37347
ZVA 32 Slimline	200	With axial swivel joint	NW32	45244

DIRECT CURRENT CONNECTIONS (ONLY IN CONNECTION WITH DIESEL PUMPS)



Type	Description	Art. no.
GSV I	2 high-current plugs (plug=socket) for pump and vehicle mounting; rated for up to 50 A/24 V	300188
GSV socket	3-pin plastic socket according to DIN 9680, voltage of 6 – 24 V, max. 25 A, protection class IP54	46673
GSV plug	3-pin plastic plug according to DIN 9680, voltage of 6 – 24 V, max. 25 A, protection class IP54	46674
NATO	2-pin NATO special plug according to VDA 72593A, voltage 12 – 42 V, rating 300 A, short-term 1,000 A, metal housing with hard rubber cable protection, including 5 m cable H07RN-F 2x6 mm ²	44338

FILTERS

Type	Description	Art. no.
Fuel filter	Mounted on the pressure side of a pump for protection against contamination and water, filter mesh 30 µm, max. 65 l/min flow; the flow is decreased with increasing saturation of the filter cartridge; the flow is blocked if the filter cartridge is fully saturated	73165
Replacement cartridge	Replacement filter cartridge for the fuel filter	39759